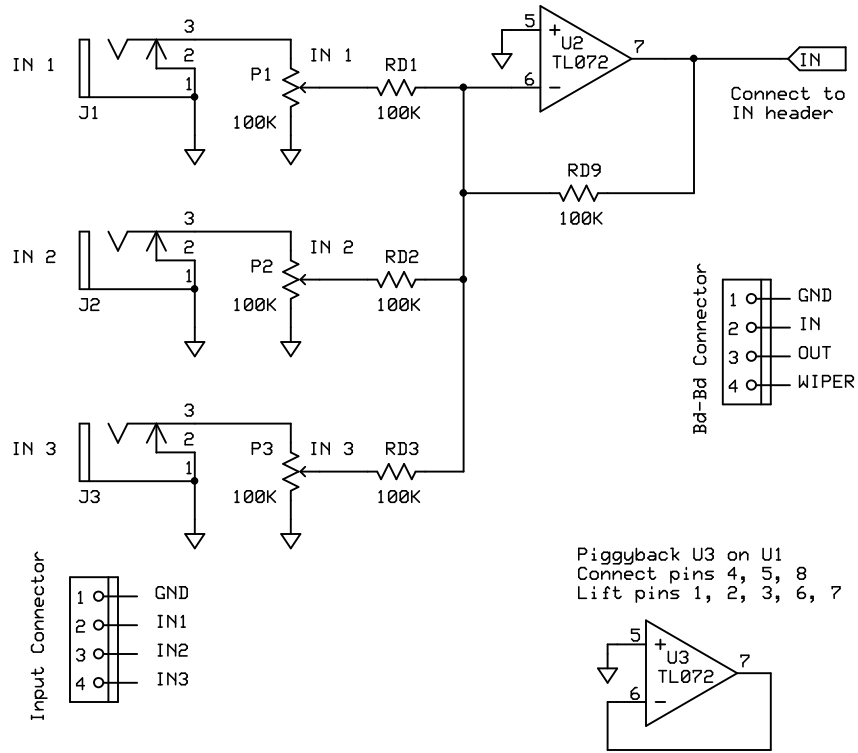
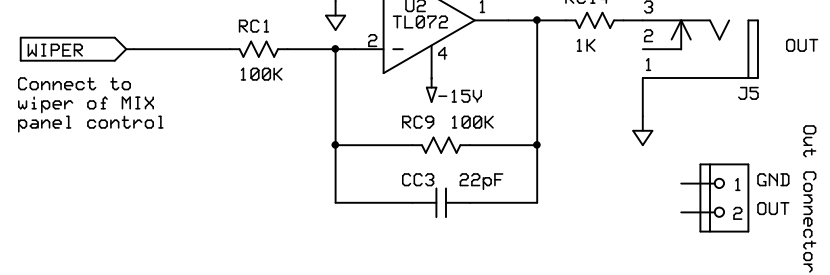


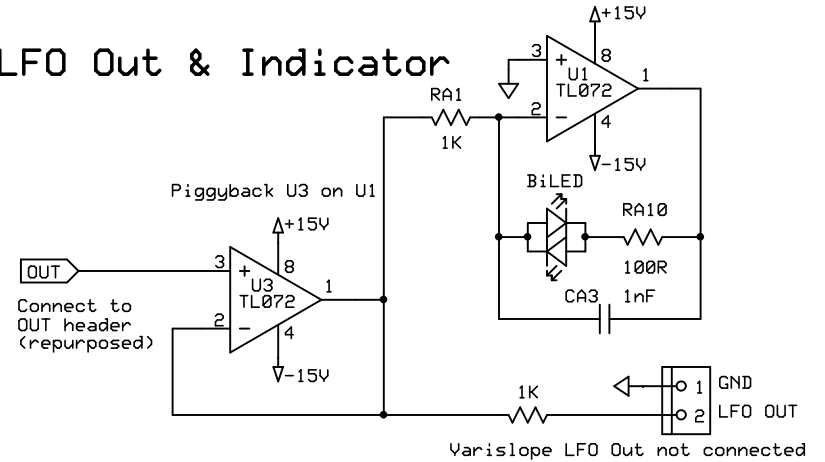
### IN1-IN3 Mixer



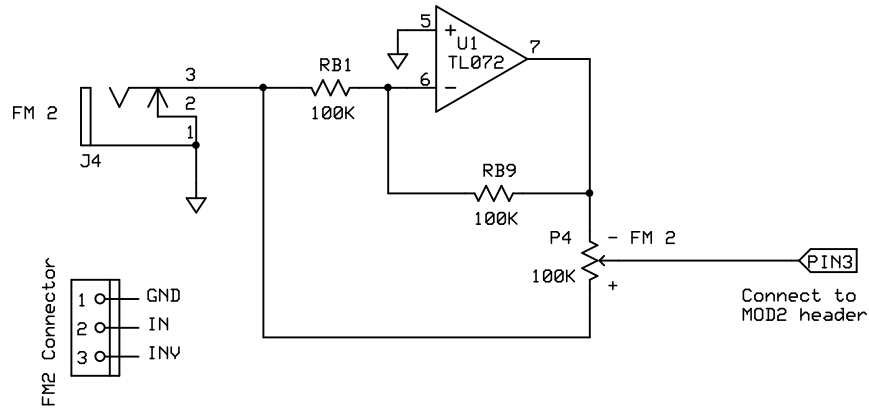
### Out Buffer



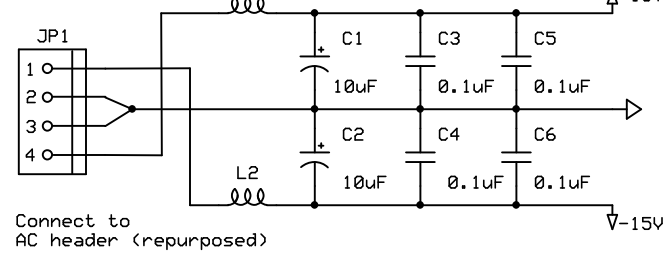
### LFO Out & Indicator



### FM2 Attenuator



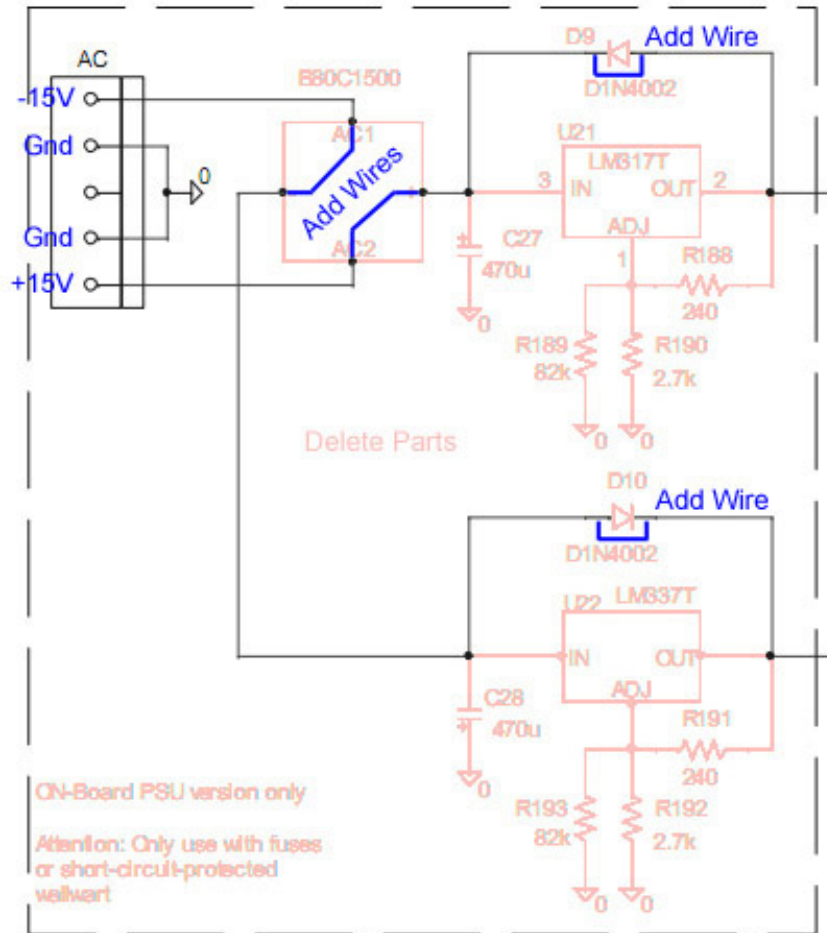
### Power



<b>Variable Slope Filter/Phaser</b>		
<b>ModularSynthesis</b>		
David J. Brown	Rev 0.4 8/14/2009	Enhancements

## Variable Slope Filter / Phaser Modifications

Add +/-15 Volt Power (for enhancement circuits)



Add LFO Output (for LED indicator circuit)

